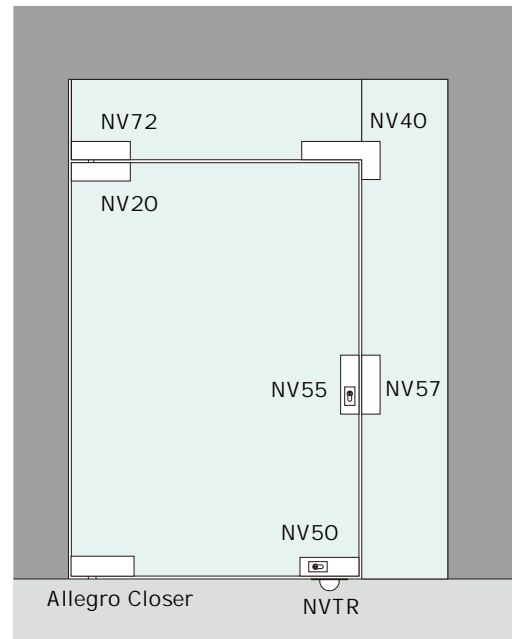
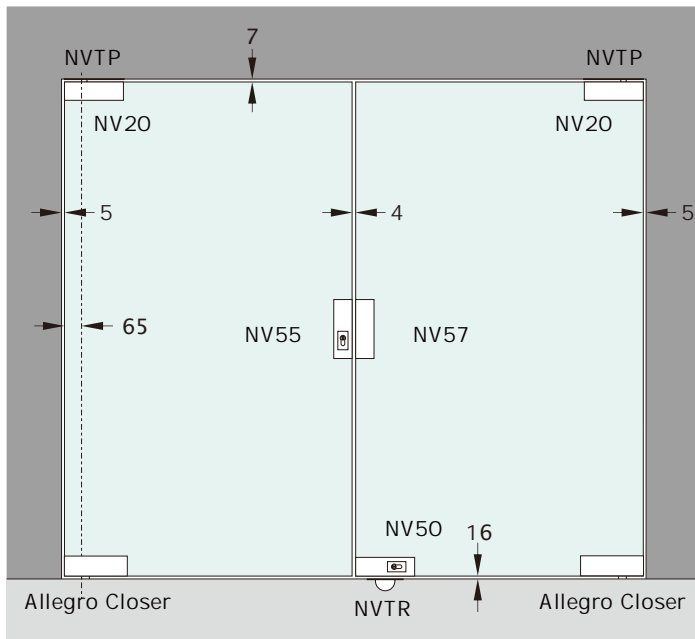
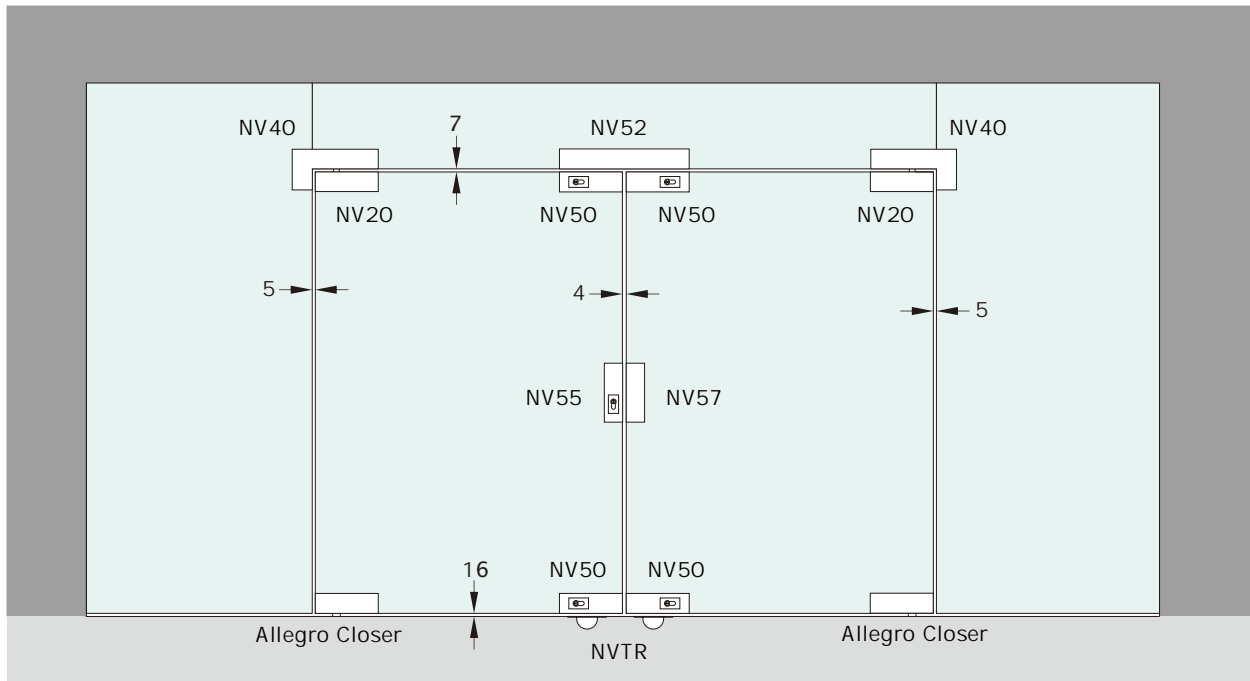


Allegro Closers: Typical Layouts



Recommended Max Door Size

- 10mm = up to 2400H × 1000
- 12mm = up to 2700H × 1000

Finishes

- PS = Polished Stainless
- SS = Satin Stainless

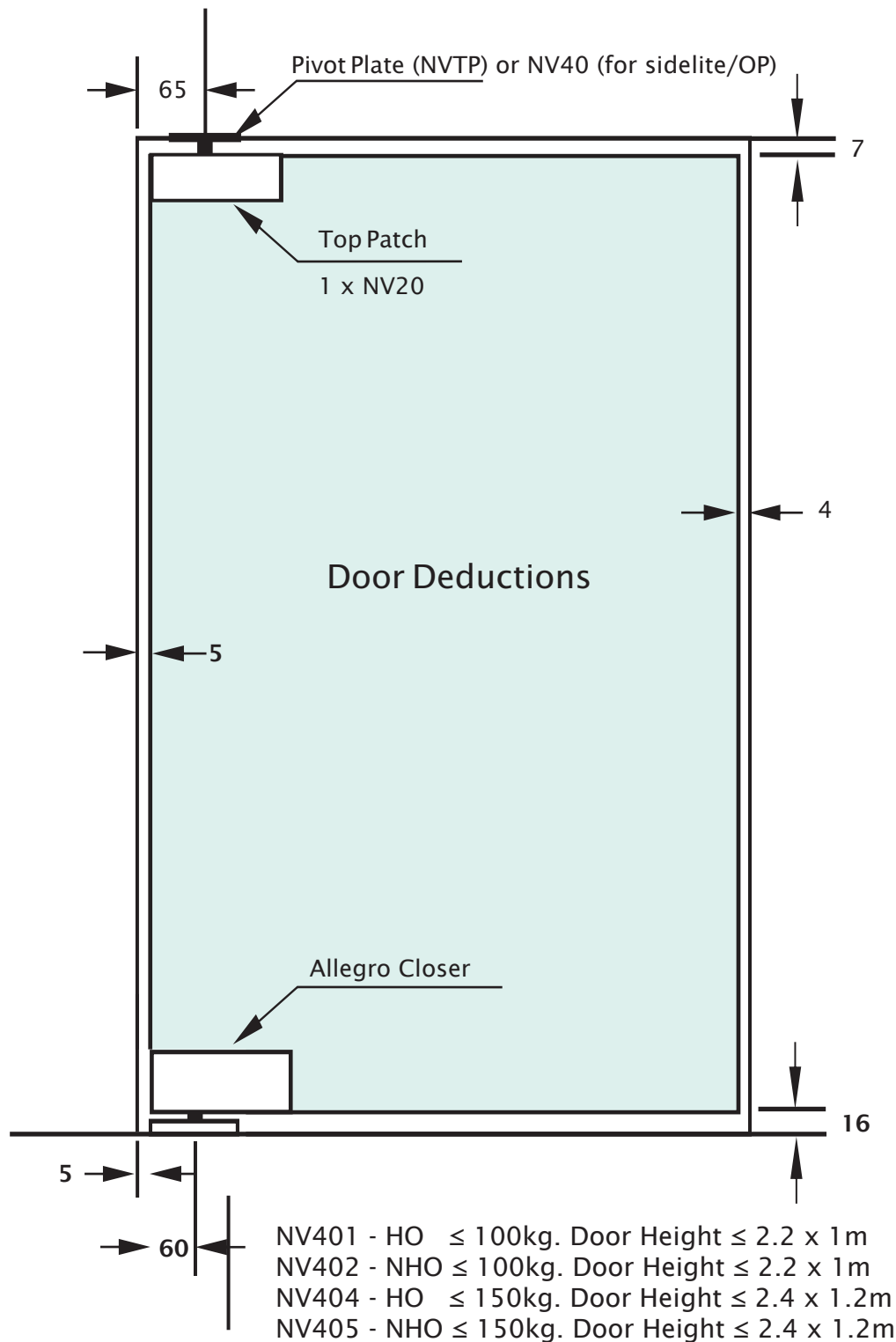
Keying

- CTKA = Cylinder/Turn, Keyed Alike
- CTKD = Cylinder/Turn, Key Different
- DCKA = Cylinder/Cylinder, Keyed Alike
- DCKD = Cylinder/Cylinder, Key Different



Allegro Hydraulic Door Closers: Door Deductions

Allegro Hydraulic Surface Mounted Closers

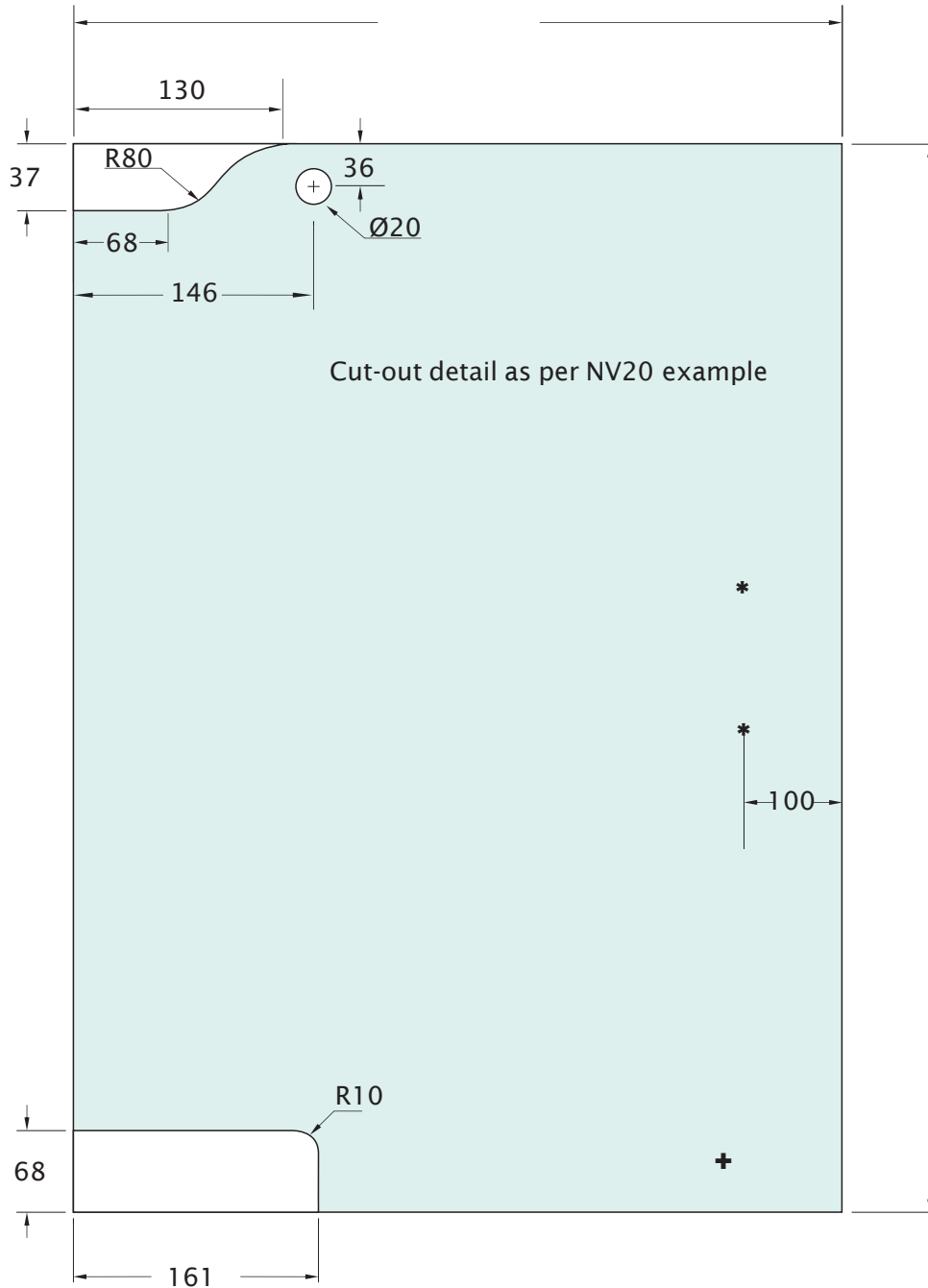


Note:

- Can be used in combination with standard door patch fittings for overpanels and sidelites, etc.
- 10-15mm glass.

Allegro Hydraulic Door Closers: Glass Detail

Allegro Hydraulic Surface Mounted Closers, top patch



* Add Handle holes as required

+ Check for locking requirements