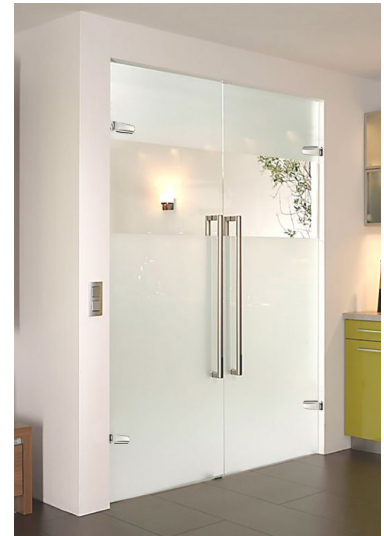


Linea Hinge for rebated Glass Doors

Product Features

- A slim profile, rebated hinge for side hung single or double glass doors.
- Suits 10mm-15mm glass thicknesses.
- Recommended loading is max 80kg.
- Fixing to either timber or metal frame.
- Using 2 hinges the max door width is 800mm and max height 2000mm.
Use 3 hinges for larger door sizes.
- 304 stainless steel in polished or satin finish.
- Opening angle from 0° to 120°.



Product Code

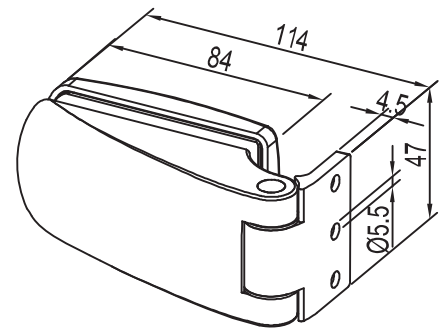
GH1PS
GH1SS

Description

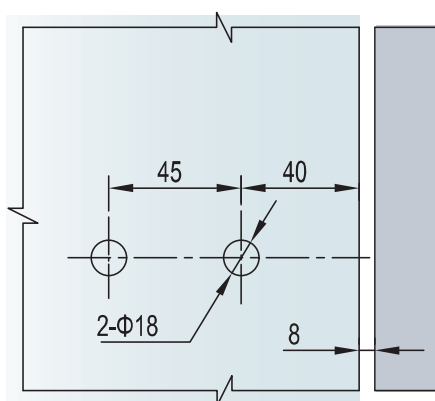
Rebated Glass Door Hinge
Rebated Glass Door Hinge

Finish

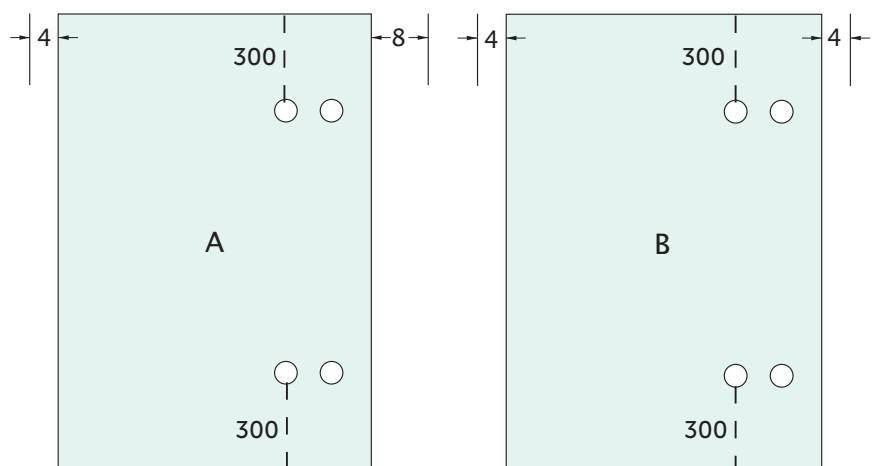
PS
SS



Door Opening angle from 0° to 120°



Glass cut-out detail



A = Hinge not rebated into timber

B = Hinge rebated into timber